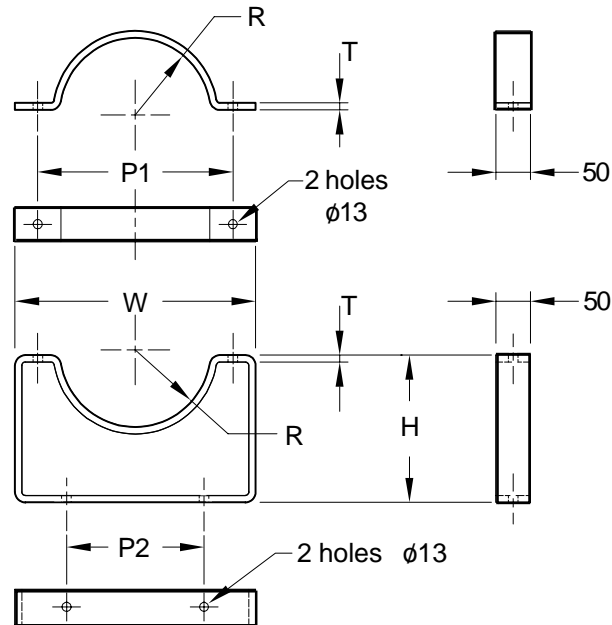


COLLAR

BRACKET



TANK N.B.	COLLAR Order Code	BRACKET Order Code	H	P1	P2	R	T	W
5"	CS5	SB5	95	200	150	70	6	264
		SM5	160	200	150	70	6	264
		SA5	180	200	150	70	6	264
6"	CS6	SB6	109	230	150	84	6	292
		SM6	170	230	150	84	6	292
		SA6	200	230	150	84	6	292
8"	CS8	SB8	134	284	200	110	8	348
		SM8	210	284	200	110	8	348
		SA8	270	284	200	110	8	348
10"	CS10	SB10	161	350	250	136	8	424
		SA10	273	350	250	136	8	424

COLLARS AND BRACKETS PAINTED RAL 5012