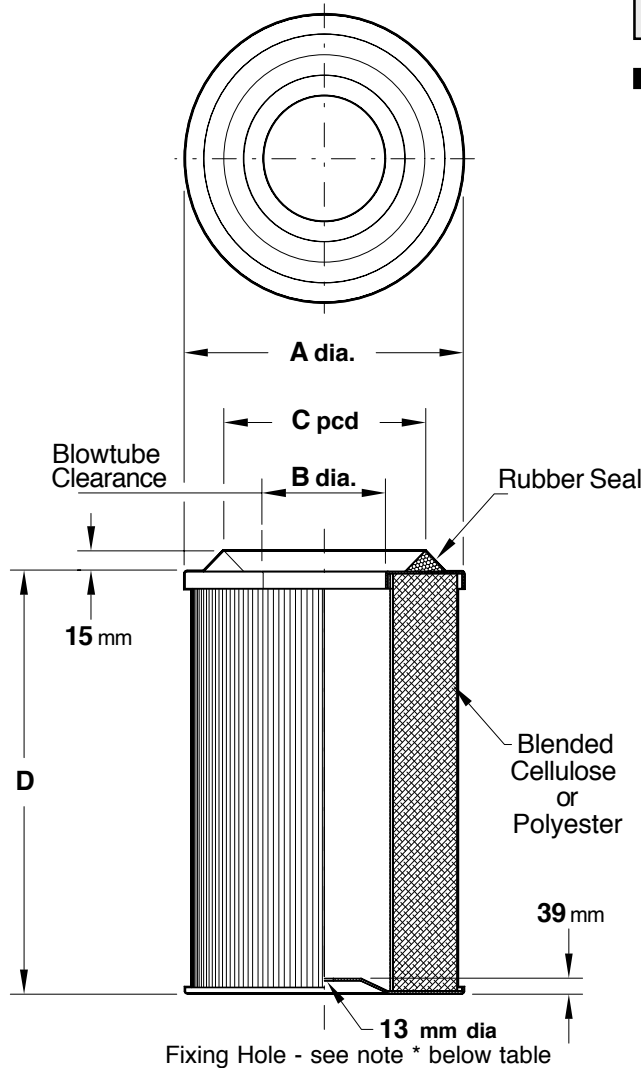


OVERVIEW



■ CCT are pleased to offer these versatile, high quality, cost-effective, filter cartridges, confident you will find them ideal for a variety of demanding applications. They are robust, easy to fit, lend themselves to several fixing methods, come in a range of useful sizes and have longevity in service comparable to more expensive equivalents.

Nordic Pleat Din Filters are cylindrical pleated filters which can be installed from the dirty side (Din) or from the clean side (Top Removal Din) and have a proven service record in the following applications:- Pharmaceutical, Fume, Blasting, Grinding, Powder and many more.

See the table opposite to find the size most appropriate to your application.

Part Number	Nominal Dia.	Dimn. A	Dimn. B	Dimn. C	Dimn. **	Pleat Depth
CD150	150mm	150mm	95mm	122mm	150-500mm	28mm
CD205A	205mm	200mm	115mm	153mm	200-800mm	40mm
CD205B	205mm	200mm	105mm	153mm	200-800mm	45mm
CD205C	205mm	200mm	90mm	153mm	200-800mm	50mm
CD225	215mm	215mm	145mm	153mm	200-800mm	28mm
CD325	325mm	325mm	215mm	295mm	500-1000mm	48mm

Circuit Control Technology

Omni House, Sheene Road
Gorse Hill Industrial Estate
Beaumont Leys,
Leicester, LE4 1BF

Tel: + 44 (0) 116 2998000

Fax: + 44 (0) 116 2998001

E-mail: info@circuitcontroltechnology.com

* also available with 17mm dia. fixing hole on request.

** Always state length required.