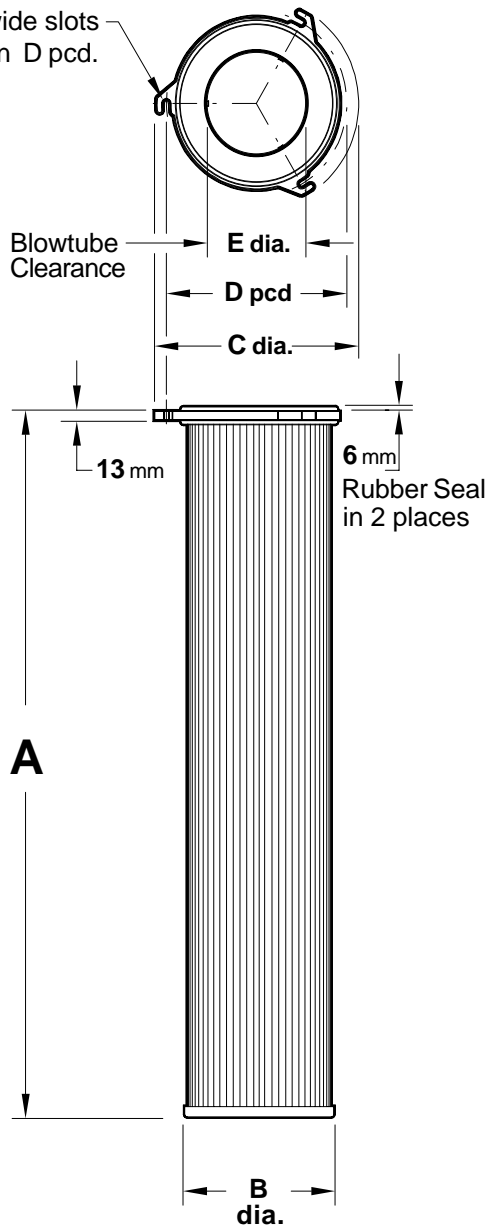
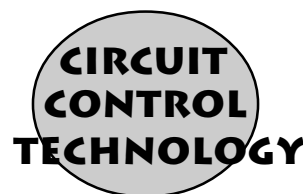


3 x 11mm wide slots
equispaced on D pcd.



O V E R V I E W

■ CCT are pleased to offer these versatile, high quality, cost-effective, off-the-shelf filter cartridges, confident you will find them ideal for a variety of demanding applications. They are robust, easy to fit, lend themselves to several fixing methods, come in a range of useful sizes and have longevity in service comparable to more expensive equivalents. Available in a range of filter materials including polyester, anti-static and PTFE treated polyester, cellulose paper etc., they are usually supplied with plastic flanges as standard but aluminium can also be specified. Features include integral deep-pleated 806 filter media to optimise the area of filtration and cleaning efficiency. See the table opposite to find the size most appropriate to your application, send us your order and start saving money.



Circuit Control Technology Ltd.

**Omni House, Sheene Road
Gorse Hill Industrial Estate
Beaumont Leys,
Leicester, LE4 1BF**

Tel: +44 (0) 116 2998000

Fax: +44 (0) 116 2998001

E-mail: info@circuitcontroltechnology.com

Part Number	Nominal Dia.	Dimn. A	Dimn. B	Dimn. C	Dimn. D	Dimn. E	Area
CJ150x660	150mm	500mm	156mm	224mm	205mm	85mm	2 - 4
CJ150x1000	150mm	1000mm	156mm	224mm	205mm	85mm	3.3 - 6
CJ225x660	225mm	660mm	216mm	294mm	265mm	143mm	2.5 - 4
CJ225x1000	225mm	1000mm	216mm	294mm	265mm	143mm	5 - 7
CJ225x1400	225mm	1400mm	216mm	294mm	265mm	143mm	6 - 8
CJ325x660	325mm	660mm	323mm	?mm	?mm	210mm	10 - 13
CJ325x1000	325mm	1000mm	323mm	?mm	?mm	210mm	10 - 16

"Area" quoted above shows the range of total filtration area available per cartridge, measured in square metres.