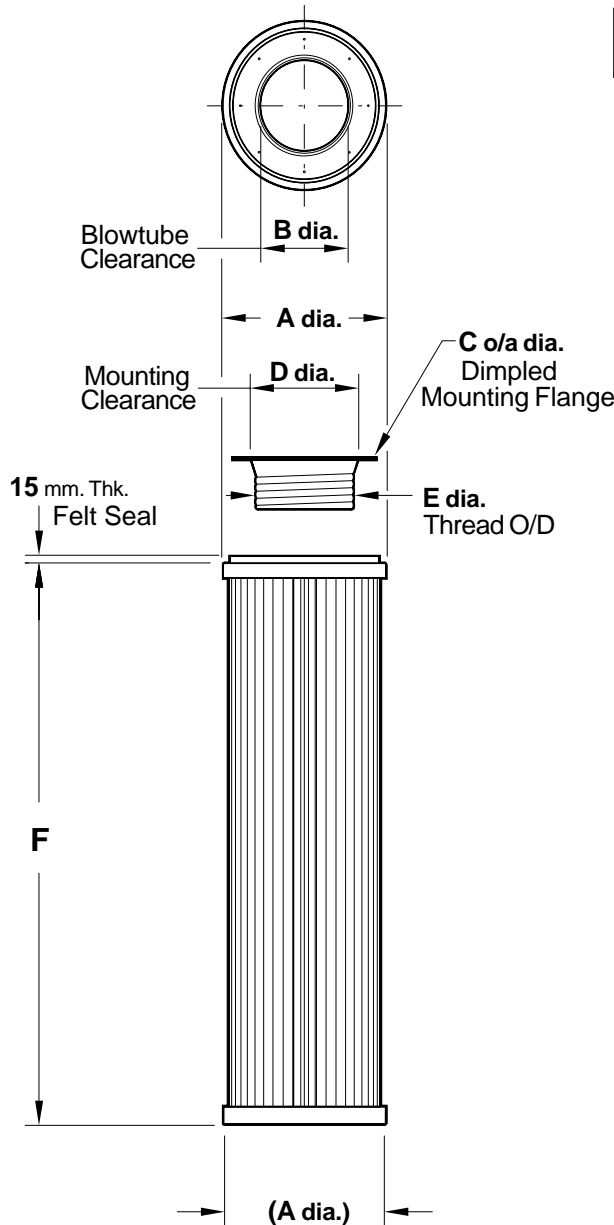


Product Data Sheet

Cartridge Filters Dustcheck Replacement Parts

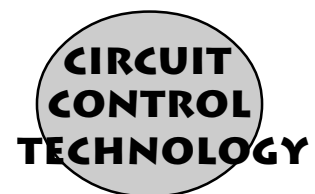
OVERVIEW

■ CCT offer these custom-made, high quality filter cartridges as economic alternatives to Dustcheck original supply. They are a direct size-for-size replacement. No modifications to your standing plant are necessary, when the time comes to change your filters - slide out the old and save money by slipping in new RD60/RD70 replacements. Using 806 Polyester filter material and Nordic Air Pleat technology, the RD60 and RD70 ranges offer commensurate performance and longevity with appreciable savings in cost. Features include moulded-in star pleated filter media to optimise the area of filtration (= cleaning efficiency) plus a replacement threaded mounting socket (just in case) with pre-dimpled flange to facilitate fitting. Available in the same four length options as the original equipment, the only way you'll tell the difference is when you pay the bill!



Part Number	Dimn. A	Dimn. B	Dimn. C	Dimn. D	Dimn. E	Dimn. F	Area
RD60 115X400	120mm	52mm	112mm	67mm	59.2mm	400mm	0.5
RD60 115X600	120mm	52mm	112mm	67mm	59.2mm	600mm	1.0
RD60 115X900	120mm	52mm	112mm	67mm	59.2mm	900mm	1.2
RD60 115X1000	120mm	52mm	112mm	67mm	59.2mm	1000mm	1.6
RD72 115X400	120mm	65mm	105mm	78.5mm	71.2mm	400mm	0.5
RD72 115X600	120mm	65mm	105mm	78.5mm	71.2mm	600mm	1.0
RD72 115X900	120mm	65mm	105mm	78.5mm	71.2mm	900mm	1.2
RD72 115X1000	120mm	65mm	105mm	78.5mm	71.2mm	1000mm	1.6

"Area" quoted above shows the total filtration area available per cartridge, measured in square metres.



Circuit Control Technology Ltd.

**Omni House, Sheene Road
Gorse Hill Industrial Estate
Beaumont Leys,
Leicester, LE4 1BF**

Tel: +44 (0) 116 2998000

Fax: +44 (0) 116 2998001

E-mail: info@circuitcontroltechnology.com

CCT DRD001.REV XA/14.05.2004