

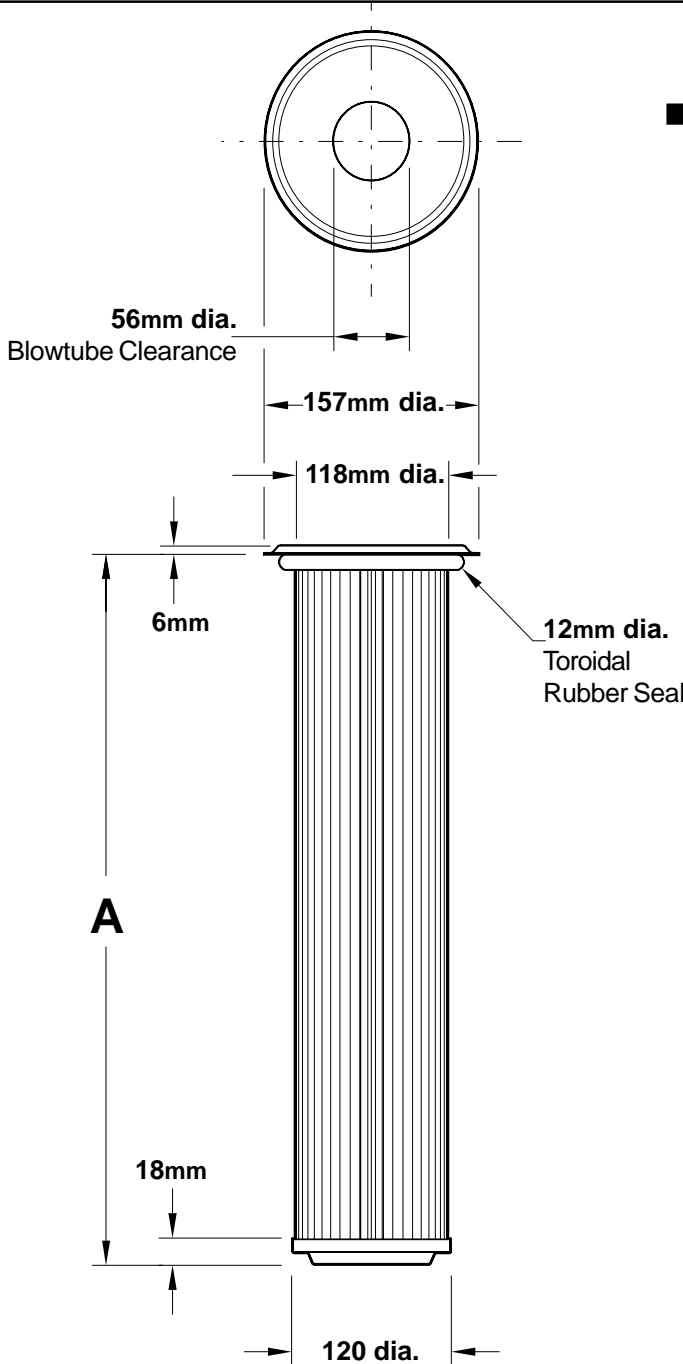
Product Data Sheet

Cartridge Filters Airmaster Replacement Part

OVERVIEW

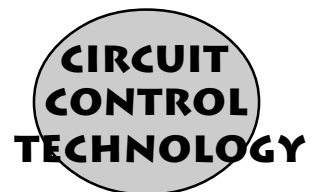
■ CCT offer these custom-made, high quality filter cartridges as economic alternatives to Airmaster original supply. They are a direct size-for-size replacement. No modifications to your standing plant are necessary, when the time comes to change your filters - slide out the old and save money by slipping in new CD160 replacements.

Using similar materials and technology, the CD160 offers commensurate performance and longevity with appreciable savings in cost. Features include moulded-in star-pleated 806 filter media (can be supplied in standard, antistatic or PTFE coated) to optimise the area of filtration and cleaning efficiency. Available in the same two length options as the original equipment, the only way you'll spot the difference is when you pay the bill!



Part Number	Nominal Dia.	Dimn. A	Area
CD160X450	160mm.	450mm.	1.0
CD160X950	160mm.	950mm.	2.0

Area shown above is the total area of filtration per cartridge and is in square metres.



Circuit Control Technology Ltd.

**Omni House, Sheene Road
Gorse Hill Industrial Estate
Beaumont Leys,
Leicester, LE4 1BF**

Tel: +44 (0) 116 2998000

Fax: +44 (0) 116 2998001

E-mail: info@circuitcontroltechnology.com

CCT ACD001 REV XA/14.05.2004